



GEKO Fluid Control GmbH

► Taiwan Geko Valve Co., Ltd.

Address: NO.10, Ln. 36, Fuzing St.,  
Houk Dist., Taichung City 421, Taiwan  
Tel: +886-4-25565626  
Fax: +886-4-25569580  
URL: [www.geko.com.tw](http://www.geko.com.tw)  
E-mail: [sales@geko.com.tw](mailto:sales@geko.com.tw)

► GEKO office in China

Address: 16th Floor Meqete Building, No.101 Qiyang  
North Road, Changzhou 213000, P.R.China  
Tel.: 0519-85503155 / 85503955  
Fax.: 0519-85503133  
URL: [www.geko-valves.com](http://www.geko-valves.com)  
E-mail: [geko@geko-valves.com](mailto:geko@geko-valves.com)



[www.geko-valves.com](http://www.geko-valves.com)

GEKO Fluid Control GmbH

High Performance Pneumatic Actuators  
Control Valve Accessories

**GEKO**  
CONTROL-VALVES



#### Design Features

GKP series pneumatic actuators are researched, developed and designed on the basis of the new technology, new materials, new processed and innovative ideas home and abroad to combine the features below:

1. Completely in accordance with the latest international standards like ISO5211, DIN3337, VOI/VDE3845 and NAMUR.
2. Extruded high-strength aluminum cylinder body, finely ground and hard anodized internal surface to feature long service life, low friction coefficient and quick action.
3. Elegant, compact and modern design, a variety of specifications to offer more economical and practical types selection.
4. High-quality bearing are used on all moving surface to feature low friction, long life and no noise.
5. Two independent stroke regulating mechanism be installed outside for easy adjust fully open and closed position  $\pm 5^\circ$ .
6. Actuators with same external structure have double acting and single acting type for options available. Single-acting got normally closed and open.
7. NAMUR Standard Multifunctional Position Indicator have visual indication, install and output all the accessories.
8. Easy and safety installation and disassembly Pre-compression Load spring.
9. Piston and end cover using die-casting aluminum alloy with high strength and light weight.
10. By changing the material of sealing element, it can be used for high or low temperature conditions.
11. Available to Provide multiple angle travel (e.g.  $120^\circ$ ,  $135^\circ$ , and  $180^\circ$  etc.) and three-position actuators if be required. Solenoid valve can be installed directly without connection plate.

#### Operating Medium

Clean dry or lubricating air, or inert gases, all those non corrosive gases that can be compatible with its internal parts and lubricant. The dew point temperature of operating medium is  $-20^\circ\text{C}$ . The impurity particles size of medium shall not exceed  $30\ \mu$ . The impurity particles size of operating medium shall not exceed  $5\ \mu$  when select to use Positioner.

#### Supply Pressure

3-8bar.

#### Working Environment Temperature

Standard Type:  $-20^\circ\text{C}$  -  $+80^\circ\text{C}$   
 Low-temperature Type:  $-40^\circ\text{C}$  -  $+80^\circ\text{C}$   
 High-temperature Type:  $-20^\circ\text{C}$  -  $+160^\circ\text{C}$

#### Lubrication

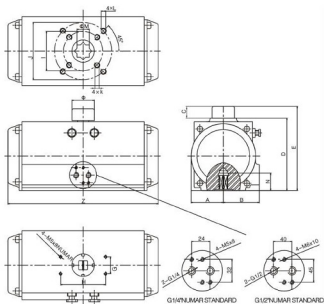
The Standard type no need to add lubricant when its under normal operating condition. The special lubricant will be required for high or low temperature using condition.

#### Technical Data

Air supply pressure range: 0.2-1.0MPa  
 The maximum output torque: Double acting: 13673NM @ 5bar  
 Single acting: 6356NM @ 5bar  
 Applicable temperature range:  $-20^\circ\text{C}$  -  $+80^\circ\text{C}$   
 Optional temperature range: Low to:  $-40^\circ\text{C}$  -  $+80^\circ\text{C}$   
 High to:  $-20^\circ\text{C}$  -  $+150^\circ\text{C}$   
 Stroke adjustment range:  $90^\circ \pm 5^\circ$

#### Accessory

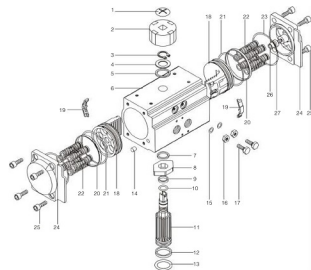
- Solenoid valve
- Limit switch box
- Positioner
- Manual override



Outline and Connecting Dimensions

| Model        | A    | B    | C  | D   | E   | G  | H   | I   | J   | K        | L        | M       | N  | Z   | Φ  | Air connection |
|--------------|------|------|----|-----|-----|----|-----|-----|-----|----------|----------|---------|----|-----|----|----------------|
| GKP32 DA/SR  | 22.5 | 22.5 | 20 | 45  | 65  | 30 | 50  | -   | F03 | -        | M5 x 8   | 9 x 9   | 15 | 126 | 34 | NUMAR G 1/8"   |
| GKP52 DA/SR  | 30   | 41   | 20 | 72  | 92  | 30 | 80  | F03 | F05 | M5 x 8   | M6 x 10  | 11 x 11 | 15 | 145 | 34 | NUMAR G 1/4"   |
| GKP83 DA/SR  | 36   | 46   | 20 | 89  | 109 | 30 | 80  | F05 | F07 | M6 x 10  | M8 x 12  | 14 x 14 | 15 | 169 | 34 | NUMAR G 1/4"   |
| GKP75 DA/SR  | 42   | 52   | 20 | 100 | 120 | 30 | 80  | F05 | F07 | M6 x 10  | M8 x 12  | 14 x 14 | 15 | 201 | 34 | NUMAR G 1/4"   |
| GKP83 DA/SR  | 46   | 55   | 20 | 109 | 129 | 30 | 80  | F05 | F07 | M6 x 10  | M8 x 12  | 14 x 14 | 15 | 209 | 34 | NUMAR G 1/4"   |
| GKP92 DA/SR  | 51   | 57.5 | 20 | 117 | 137 | 30 | 80  | F05 | F07 | M6 x 10  | M8 x 12  | 17 x 17 | 17 | 242 | 41 | NUMAR G 1/4"   |
| GKP105 DA/SR | 58   | 64   | 20 | 134 | 154 | 30 | 80  | F07 | F10 | M8 x 12  | M10 x 16 | 22 x 22 | 25 | 275 | 41 | NUMAR G 1/4"   |
| GKP125 DA/SR | 67.5 | 70   | 30 | 157 | 187 | 30 | 80  | F07 | F10 | M8 x 12  | M10 x 16 | 22 x 22 | 25 | 332 | 41 | NUMAR G 1/4"   |
| GKP140 DA/SR | 76   | 77   | 30 | 174 | 204 | 30 | 130 | F10 | F12 | M10 x 16 | M12 x 20 | 27 x 27 | 30 | 385 | 62 | NUMAR G 1/4"   |
| GKP160 DA/SR | 86.5 | 87.5 | 30 | 199 | 229 | 30 | 130 | F10 | F12 | M10 x 16 | M12 x 20 | 27 x 27 | 30 | 450 | 62 | NUMAR G 1/4"   |
| GKP190 DA/SR | 103  | 103  | 30 | 233 | 263 | 30 | 130 | F10 | F12 | M10 x 16 | M12 x 20 | 36 x 36 | 34 | 507 | 62 | NUMAR G 1/4"   |
| GKP210 DA/SR | 113  | 113  | 30 | 257 | 287 | 30 | 130 | -   | F12 | -        | M12 x 20 | 36 x 36 | 34 | 562 | 79 | NUMAR G 1/4"   |
| GKP240 DA/SR | 129  | 129  | 30 | 293 | 323 | 30 | 130 | -   | F16 | -        | M20 x 24 | 36 x 36 | 34 | 646 | 79 | NUMAR G 1/4"   |
| GKP270 DA/SR | 146  | 146  | 30 | 333 | 363 | 30 | 130 | -   | F16 | -        | M20 x 24 | 46 x 46 | 52 | 722 | 79 | NUMAR G 1/4"   |

Note: A120, A180 respectively expressed the execution length angle stroke is 120° - 180°



Parts and Materials

| No | Parts name             | Qty  | Material              | Anti-corrosive           | Optional materials    |
|----|------------------------|------|-----------------------|--------------------------|-----------------------|
| 1  | Indicator screw        | 1    | Plastic               |                          |                       |
| 2  | Indicator              | 1    | Plastic               |                          |                       |
| 3  | Spring clip            | 1    | Stainless steel       |                          |                       |
| 4  | Washer                 | 1    | Stainless steel       |                          |                       |
| 5  | Outer gasket           | 1    | Engineering plastics  |                          |                       |
| 6  | Cylinder body          | 1    | Cast aluminum         | Hard anodizing           |                       |
| 7  | Inner gasket           | 1    | Engineering plastics  |                          |                       |
| 8  | Cam                    | 1    | Alloy steel           |                          | Viton/silicone rubber |
| 9  | O ring(Pinon top)      | 1    | NBR                   |                          |                       |
| 10 | Bearing(Pinon top)     | 1    | Engineering plastics  |                          |                       |
| 11 | Pinion                 | 1    | Alloy steel           | Nickel plating           | Stainless steel       |
| 12 | Bearing(Pinon bottom)  | 1    | Engineering plastics  |                          |                       |
| 13 | O ring(Pinon bottom)   | 1    | NBR                   |                          | Viton/silicone rubber |
| 14 | Plug                   | 2    | NBR                   |                          | Viton/silicone rubber |
| 15 | Adjusting screw O ring | 2    | NBR                   |                          | Viton/silicone rubber |
| 16 | Adjusting screw nut    | 2    | Stainless steel       |                          |                       |
| 17 | Adjusting bolt         | 2    | Stainless steel       |                          |                       |
| 18 | Piston                 | 2    | Cast aluminum/alloyed | Oxidation (Zinc plating) | Stainless steel       |
| 19 | Piston guide           | 2    | Engineering plastics  |                          |                       |
| 20 | Piston bearing         | 2    | Engineering plastics  |                          |                       |
| 21 | Piston O ring          | 2    | NBR                   |                          | Viton/silicone rubber |
| 22 | Spring                 | 0-12 | Spring steel          | Dipping paint            |                       |
| 23 | End cover O ring       | 2    | NBR                   |                          | Viton/silicone rubber |
| 24 | End cover              | 2    | Cast aluminum         | Powder coating           |                       |
| 25 | End cover bolt         | 8    | Stainless steel       |                          |                       |
| 26 | Limit bolt             | 2    | Stainless steel       |                          |                       |
| 27 | Limit nut              | 2    | Stainless steel       |                          |                       |



